



WIND PRO 210A

Quasi 3-Way Acoustic Active Loudspeaker

Code F000524



FEATURES

- Very high performance-to-size ratio
- 2-channel amplifier 800 W + 800 W RMS
- 135 dB SPL
- Quasi 3-Way acoustic design
- 10" ferrite coaxial speaker with 3" voice coil and 1,4" Driver with 3" voice coil
- 10" neodymium woofer with 2,5" voice coil
- 70° horizontal, 50° vertical coverage
- 24 Bit 96 kHz DSP with **M-Modelling** Technology
- Integrated DANTE
- **M-Modelling** Technology
- Compatible Softwares: **M-Connect** and **M-Simulation**
- Wi-Fi Connection
- Integrated Rigging

APPLICATIONS

- Theater
- Conference
- Touring
- Rental
- System Integration

DESCRIPTION

Montarbo® **WIND PRO 210A** is an active acoustic loudspeaker designed to guarantee extremely high performances in terms of power and quality. The "Quasi 3-Way" acoustic design, combined with a sophisticated audio signal processing system, defines the new point-source standard, result of a 1.4" high-frequency coaxially horn-loaded driver with a 10" transducer with 3" voice coil, and an additional 10" woofer with 2.5" voice coil. The cabinet made in birch multiply with a polyurea finish is characterized by a complex internal structure of wood and steel reinforcements, that ensures great sturdiness.

The two woofers, loaded in back-reflex configuration, guarantee a fast powerful defined response to low frequencies, without interferences in the midrange thanks to the asymmetrical crossover that allows only the upper woofer the reproduction of the vocal range. The coaxial coupling of the high frequencies driver ensures a coherent and transparent overall response, and a extremely linear 70° horizontal and 50° vertical coverage. The Class-D amplifier features two high-efficiency channels, ensuring a 1600 W RMS total power that allows the speaker a 135 dB with a 65 Hz a 18 kHz frequency response.

An advanced 24-bit 96kHz DSP ensures consistency, linearity and reliability thanks to the innovative proprietary **M-Modelling**, technology, able to model the phase and frequency response through sophisticated digital algorithms, for a superb reproduction of sound details offering an unprecedented dynamic.

8 presets, 4 of which are user-programmable, make the system suitable for any use, thanks also to the Dante analog and digital inputs for a versatile and complete plug & play connection. Through two ethercon connectors shared with the Dante port, several speakers can be connected to the network to access multiple device parameters. The architecture is based on the **M-Connect** proprietary software that, through a simple advanced interface allows the control and the tuning of the installed system. A point-to-point Wi-Fi connection with access via a dedicated app facilitates the stand-alone control of some basic speaker parameters such as volume and mute.

The **EARTH PRO** Series subwoofers allow the range of **WIND PRO** models to be extended up to 28 Hz. A complete range of integrated optional rigging Montarbo® accessories allows the system to be installed in any situation.



SPECIFICATIONS

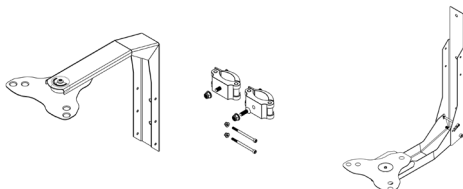
ACOUSTIC FEATURES	
System	Vented - Quasi 3-Way Point Source
Frequency Response (-6dB)	65 Hz - 18 kHz
Coverage	70° Horizontal - 50° Vertical
Maximum SPL (1m)	135 dB SPL
TRANSDUCERS	
LF + HF	10" Ferrite Coaxial loudspeaker with 3" voice coil, 1,4" Driver with 2,4" voice coil and passive custom filter
Auxiliary LF	10" Neodimium Woofer with 2,5" voice coil
AMPLIFIER FEATURES	
Power Supply	Universal, PFC, Regulated switch mode
Type	Class D - 2 Channels
Output Power RMS	800 W per Channel
Connections	PowerconTRUE
Protections	Thermal protections, Short-circuit/overload
DSP FEATURES	
Preset	8 Selectable presets
DSP	24 Bit 96 kHz
Technology	M-Modelling
Connections	1 XLR Input / 1 XLR Output 2 x Ethercon (Control + Dante)
Protections	Limiters, Clip Limiter
ENCLOSURE	
Width	345 mm (13,6 in.)
Height	631 mm (24,8 in.)
Depth	405 mm (16 in.)
Net Weight	25,8 kg (56,9 lb)
Paint	Polyurea
Material	15 mm Birch Plywood
Grille	Black painted Steel
Hardware	12 x M10 Flying Points, 2 Side Handles D. 35 mm Pole Mount, Metal bracket
System monitoring	M-Connect Ethernet TCP/IP - 1 Gigabit

SOFTWARE

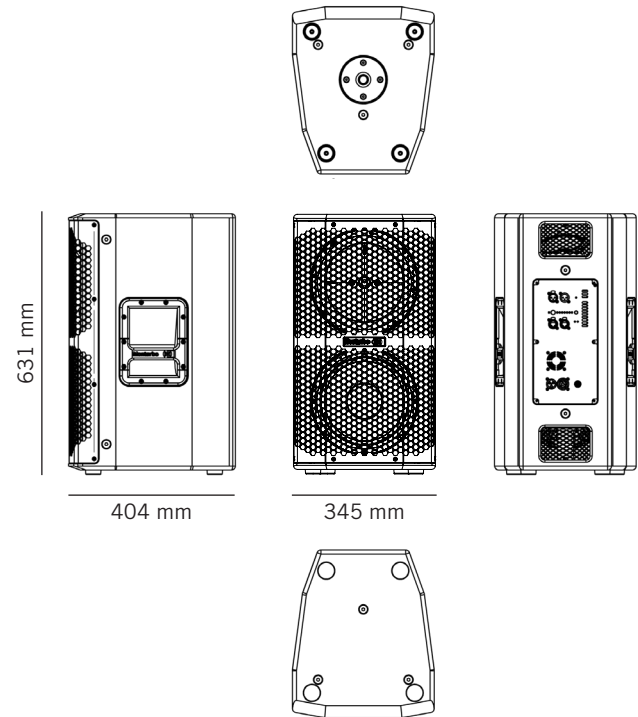


ACCESSORIES

- Bracket WIND PRO 210A Top Code F030096
- Bracket WIND PRO 210A Bottom Code F030095



TECHNICAL DRAWINGS



SERIES

- WIND PRO 208A Code F000523
- WIND PRO 210A Code F000524
- WIND PRO 212A Code F000525
- WIND PRO 215A Code F000526



RELATED PRODUCTS

- EARTH PRO 115A Code F000527
- EARTH PRO 118A Code F000528

